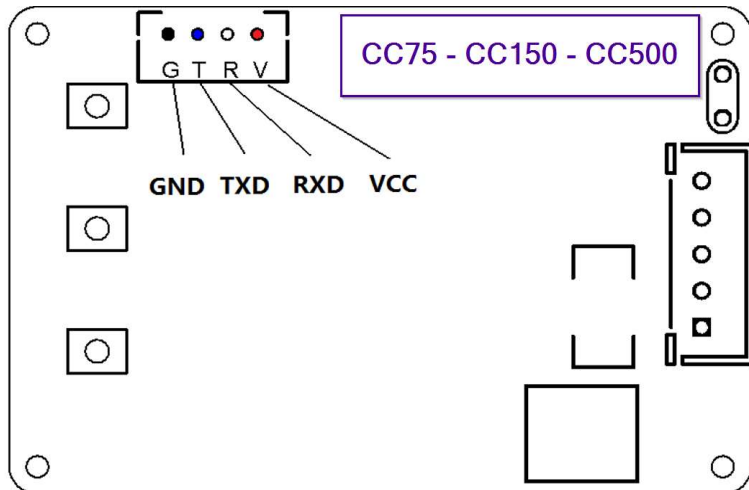


# CC75/CC150/CC500 TTL serial communication protocol specification

Baud rate :	19200Kbps	
Bytes :	17 bytes each time	
Interval :	One second	Only send when coulometer working(Backlight on)
Interface level :	TTL level 3V	Disconnect VCC is better,the max current is 5mA
Isolation method :	In order to protect Coulomb counter,you'd better connect an optocoupler to the send pin.	
Check sum :	8 bit cumulative sum from the first byte to fifteenth byte	

Byte num:	1	2	3	4	5	6	7	8	9	10	11	12	13	14	15	16	17
Meaning:	First bytes	Capacity percentage	Total battery voltage (V)		Real time battery capacity (mAh)				Current (mA)				Remaining time (S)				Check sum
Hex:	xx	02	3E	05	87	0A	00	00	05	24	00	00	11	94	00	00	xx
Example:	xx	0x02=2%	3E05=0x053E=1342=13.42V		87 0A 00 00=0x0A87=2695mAh=2.695Ah				05 24 00 00=0x2405=9221mA=9.221A				11 94 00 00=0x9411=37905S=10H:31M:45S				
Range:	xx	0 ~ 100%	0 ~ 500.00V		0.1Ah ~ 5000Ah				-750000mA ~ +750000mA(Negative value is complement)				00:00:00 ~ 99:59:59				



RXD : TK15 receive pin  
 TXD : TK15 send pin  
 GND: Ground  
 VCC : 3V power supply, max 5mA

**Note:**The interface is not RS-232. So it can't be connected directly. It must be TTL level.  
 Usually only connect TXD and GND is OK.